



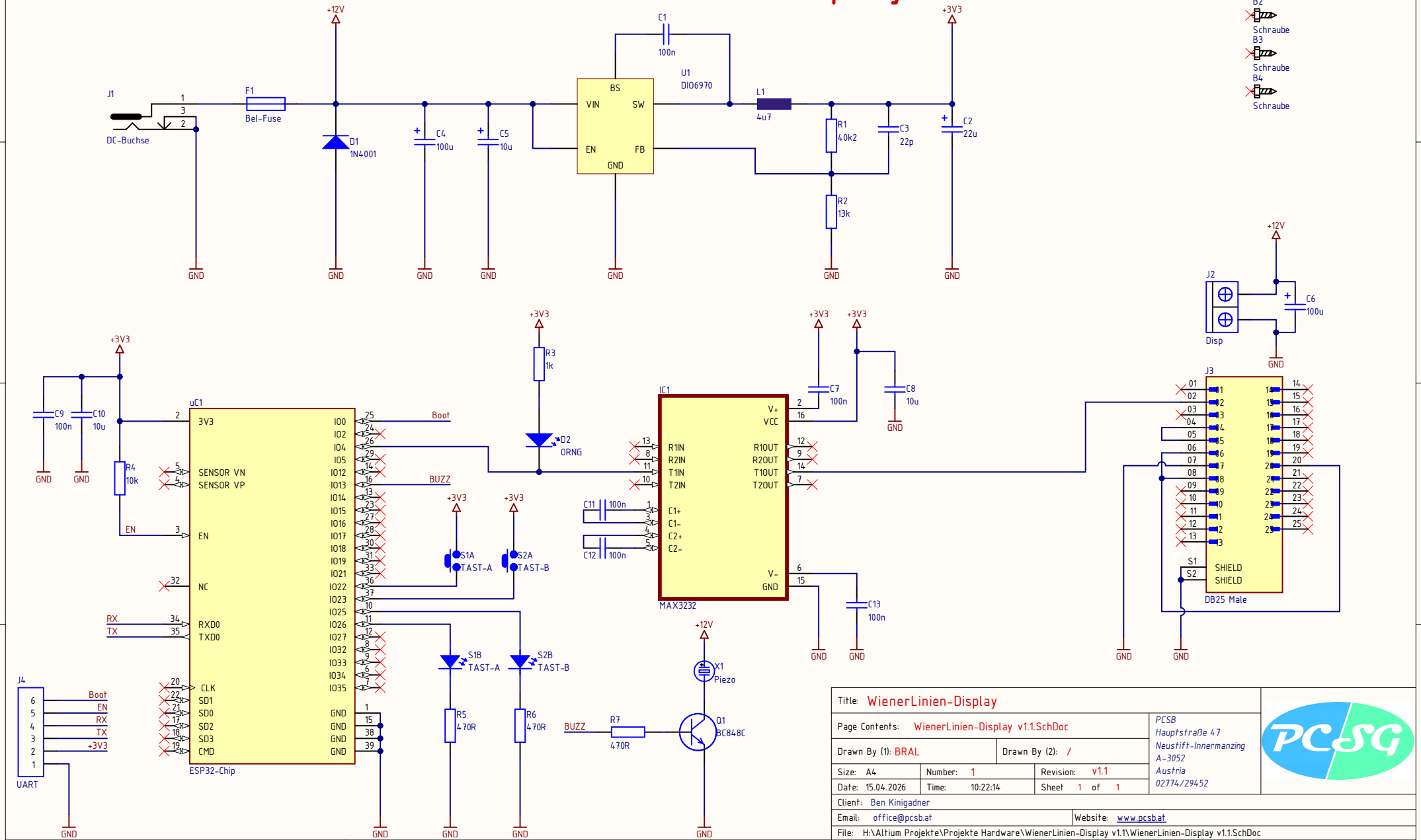


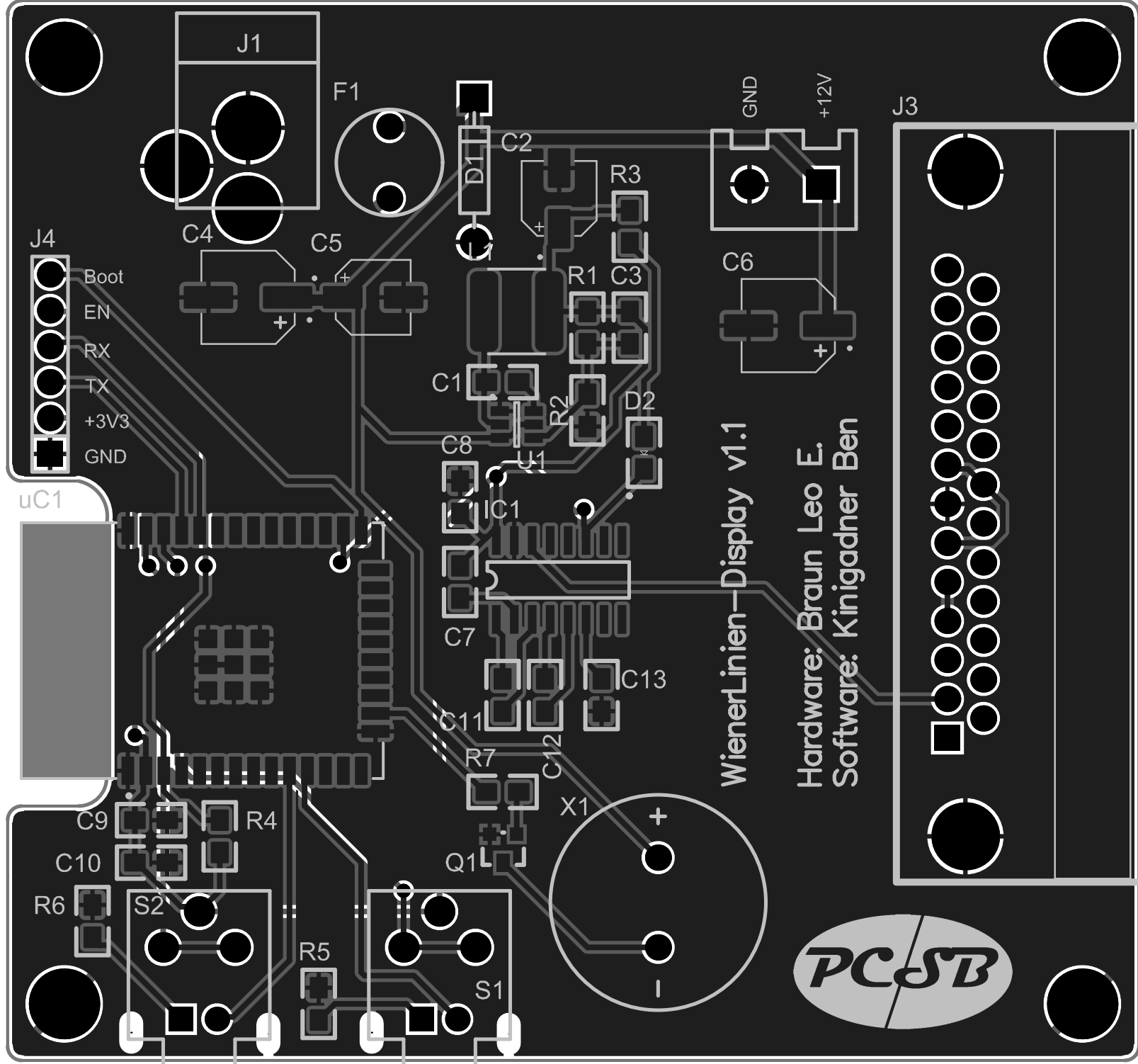
# WienerLinien-Display

- B1  Schraube
- B2  Schraube
- B3  Schraube
- B4  Schraube
- Schraube



Title: <b>WienerLinien-Display</b>		PCSB Hauptstraße 47 Neustift-Innermanzing A-3052 Austria 02774/29452	
Page Contents: <b>WienerLinien-Display v1.1.SchDoc</b>			
Drawn By (1): <b>BRAL</b>	Drawn By (2): <b>/</b>		
Size: <b>A4</b>	Number: <b>1</b>	Revision: <b>v1.1</b>	
Date: <b>15.04.2026</b>	Time: <b>10:22:14</b>	Sheet <b>1</b> of <b>1</b>	
Client: <b>Ben Kinigadner</b>			
Email: <b>office@pcsb.at</b>		Website: <b>www.pcsbat</b>	
File: <b>H:\Altium Projekte\Projekte Hardware\WienerLinien-Display v1.1\WienerLinien-Display v1.1.SchDoc</b>			





WienerLinien-Display v1.1

Hardware: Braun Leo E.

Software: Kinigadner Ben



Name	Description	Designator	Library Reference	Footprint	Quantity
Schraube	Schraubenloch für M3 Schrauben	B1, B2, B3, B4	B_Schraube	B_Schraube-M3 PAD	4
100n	Kondensator SMD Universal, Keramik, Folie, usw.	C1, C7, C9, C11, C12, C13	C_SMD_KO	C_SMD_0805	6
22u	SMD Elektrolytkondensator	C2	C_SMD_ELK	C_SMD_C-TYP	1
22p	Kondensator SMD Universal, Keramik, Folie, usw.	C3	C_SMD_KO	C_SMD_0805	1
100u	SMD Elektrolytkondensator	C4, C6	C_SMD_ELK	C_SMD_D-TYP	2
10u	SMD Elektrolytkondensator	C5	C_SMD_ELK	C_SMD_C-TYP	1
10u	Kondensator SMD Universal, Keramik, Folie, usw.	C8, C10	C_SMD_KO	C_SMD_0805	2
1N4001	Diode THT Silizium	D1	D_THT_Silizium	D_THT_0.4	1
ORNG	Diode SMD LED	D2	D_SMD_LED	D_SMD_0805	1
Bel-Fuse	Sicherung	F1	F_THT_Fuse	F_THT_bel-Fuse	1
MAX3232	RS-232 Line Driver	IC1	IC_MAX3232	SO-16	1
DC-Buchse	DC-Buchse	J1	J_THT_Hohlstecker	J_THT_CJ-25	1
Disp	Printklemme	J2	J_THT_Printklemme 2x	J_THT_Printklemme 2x	1
DB25 Male	Male DSUB25 (DB25) Connector	J3	J_THT_DB-25	J_THT_DB25	1
UART	Stecker	J4	J_THT_CON6	SIP-6	1
4u7	Spule SMD	L1	L_SMD_Spule	L_SMD_BWVS00606045	1
BC848C	NPN Transistor	Q1	Q_SMD_NPN	SOT-23	1
40k2	Widerstand SMD	R1	R_SMD_Widerstand	R_SMD_0805	1
13k	Widerstand SMD	R2	R_SMD_Widerstand	R_SMD_0805	1
1k	Widerstand SMD	R3	R_SMD_Widerstand	R_SMD_0805	1
10k	Widerstand SMD	R4	R_SMD_Widerstand	R_SMD_0805	1
470R	Widerstand SMD	R5, R6, R7	R_SMD_Widerstand	R_SMD_0805	3
TAST-A	Taster von Professor Herbert Wagner	S1	S_THT_TasterWagner	S_THT_TasterWagner	1
TAST-B	Taster von Professor Herbert Wagner	S2	S_THT_TasterWagner	S_THT_TasterWagner	1
DIO6970	Buckconverter	U1	U_DIO6970	SOT23-6	1
ESP32-Chip	Microcontroller Chip Only	uC1	UC_ESP32-Chip	UC_SMD_ESP32 Chip	1
Piezo	Piezobuzzer	X1	X_THT_Piezo	X_THT_PIEZZO	1